

TUBULAR LOADING CONVEYOR

The R&R Manufacturing Tubular Loading Conveyor provides handling of tubular goods during machining operations for an array of tubular sizes and types with high production in mind. The unit has a durable design, user friendly controls, minimized maintenance and is manufactured with the highest quality.



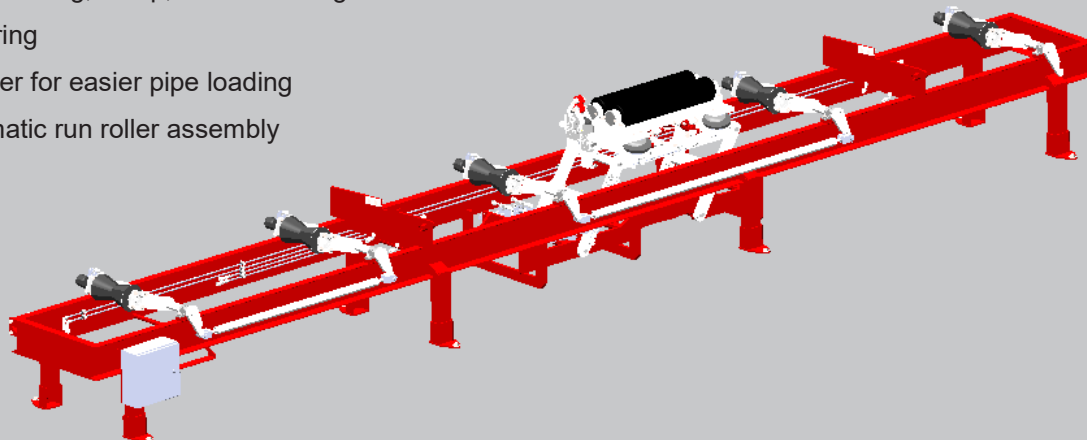
TUBULAR LOADING CONVEYOR, HD MODEL (30800.017)

STANDARD FEATURES

- Height adjustable V-Roller to convey pipe into lathe
- Pneumatic run roller assembly system to support range 2 pipe turning operations
- Automatic height memory system
- 15 HP hydraulic system to efficiently perform all pipe handling operations
- Operator and maintenance friendly electric control pedestal
- Clamp for securing small diameter tubulars during high speed cutting

OPTIONAL FEATURES

- Fully automatic loading, setup, and unloading
- Remote monitoring
- Stand-alone roller for easier pipe loading
- Range 3 Pneumatic run roller assembly



BUILDING & SERVICE REQUIREMENTS

Electrical

230/480v, 3ph, 50/60 Hz, Others by request

Pneumatic

110 psi @ 45 cfm

- Work area as per layout drawing 30800.117
- Customer responsible for all service terminations & building modifications
- Signed installation agreement, if applicable

CAPACITY

- Minimum size: 2-3/8" Tubing
- Maximum size: 6-5/8" Drill pipe
8" Drill Collar



See more product information including videos, technical manual, spare parts by scanning QR code

WWW.RR-MFG.COM

1034 WALL ROAD, BROUSSARD, LA, 70518

T 337.330.2757

F 337.330.8461

Sales@rr-mfg.com